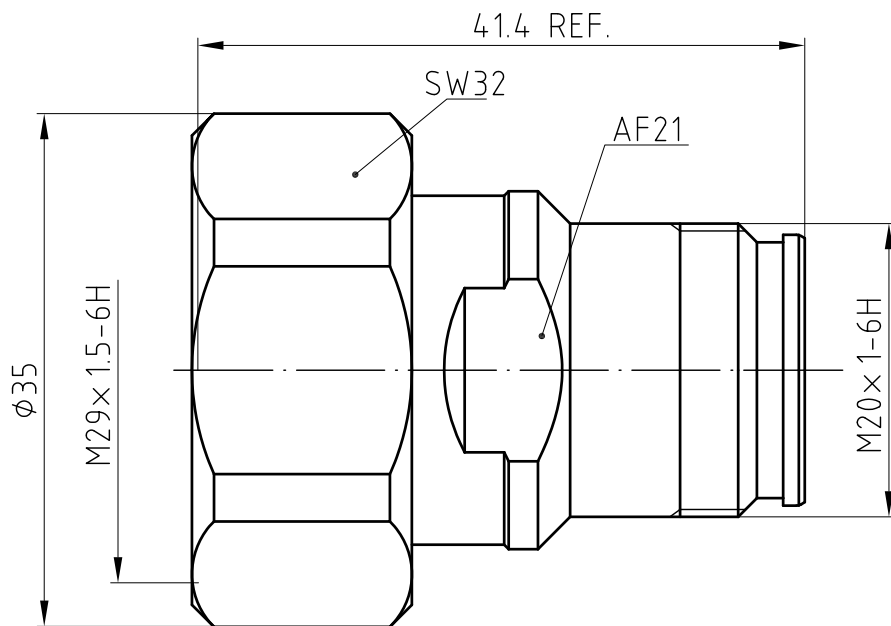


NOTICE OF PROPRIETARY RIGHTS: THIS DRAWING CONTAINS CONFIDENTIAL INFORMATION PROPRIETARY TO Somefly technology Co.,Ltd.
IT MUST NOT BE REPRODUCED OR DISCLOSED TO OTHERS OR USED IN ANY OTHER WAY, IN WHOLE OR PART EXCEPT AS AUTHORIZED
IN WRITING BY Somefly technology Co.,Ltd.

RoHS compliant

| SYM | REVISION | DESCRIPTION | DFTM | DATE | APPD | APPD |
|-----|----------|-------------|------|------|------|------|
| | | | | | | |



- NOTES:
- MATERIALS AND FINISHES:
 BODY - BRASS, WHITE BRONZE PLATING
 OUTER CONTACT - BRASS, WHITE BRONZE PLATING
 INNER CONTACT - BERYLLIUM, COPPER, SILVER PLATING
 INSULATOR - PTFE
 O-RING - SILICONE RUBBER, RED
 - ELECTRICAL:
 A. IMPEDANCE: 50 OHM
 B. FREQUENCY RANGE: DC - 6 GHz
 C. VSWR: 1.25 MAX. @ DC - 3 GHz
 D. INSERTION LOSS: $0.05 \times \sqrt{F(\text{GHz})}$ dB MAX.
 E. VOLTAGE RATING: 500 VRMS
 F. DIELECTRIC WITHSTANDING VOLTAGE: 2000 VRMS MIN.
 G. INSULATION RESISTANCE: 5000 MΩ MIN.
 H. INTERMODULATION 3RD ORDER: -160 dBc MAX. (2 X 43 dBm)

- MECHANICAL:
 A. DURABILITY: 100 CYCLES MIN.
 B. TEMPERATURE RANGE: -40°C TO +125°C
 C. COMPATIBLE WITH STANDARD: IEC61169-4/54
- PACKAGING:
 A. QUANTITY: PACK 10PCS/TRAY
 B. MARKING: TRAY TO BE MARKED ""

CUSTOMER OUTLINE DRAWING
ALL OTHER SHEETS ARE FOR INTERNAL USE ONLY

| | | | | | | |
|------------|--|----------------------|------------------|------------------------------------|-----|--------------|
| MATERIAL: | UNLESS OTHERWISE SPECIFIED | | DFTM: 006 | Somefly technology Co.,Ltd | | |
| | ALL DIMENSIONS ARE IN mm MACHINED SURFACES FINISH 1.6RMS MAX. REMOVE ALL BURRS 0.15x45° MAX. BREAK MACHINE CORNERS 0.15x45° MAX. FILLET R. TOLERANCES ON DECIMALS .X ±0.2 .XX ±0.1 ANGLES±2° FRACTIONS±N/A | | DATE: 2022.05.12 | 7/16 male to 4.3/10 female adaptor | | |
| USED ON: | | | CHKD HeTong | | | |
| SCALE: 2/1 | DWG SIZE A4 | DO NOT SCALE DRAWING | DATE: 2022.05.12 | APPD: Stone | | |
| | | | | | SHT | 019-A500M-BS |
| | | | | | REV | A.0 |